

Date: _____
 Type: _____
 Firm: _____
 Project: _____

ILE 13·18·26

Intelligent LED High Bay Fixtures

Designed for the most rugged industrial environments, the Digital Lumens ILE™ product family includes a suite of high-performance intelligent high bay LED fixtures for a broad range of facilities. Available in 13,000, 18,000, and 26,000 lumen output versions, the ILE fixture offers an exceptional temperature range and a watertight IP65 rating, making it ideal for extreme temperature installations, wet locations, and more.

From freezer storage to high ambient temperature foundries, ILEs are ideal alternatives for uncontrolled LED, fluorescent, and HID high bay fixtures. All ILE high bays feature integrated occupancy and daylight sensors, full range dimming settings, rotatable light bars, and a variety of optics options to deliver high quality light and maximum efficiency, flexibility, and control.

Proven to offer superior performance, reliability, and durability in the world's most challenging customer environments, ILEs are wirelessly networked to LightRules® lighting management software for comprehensive reporting and easy management of lighting system settings. The maintenance-free system delivers value far beyond installation, giving facility managers the flexibility to schedule and manage lighting anytime, anywhere.

PRODUCT FAMILY FEATURES:

- 13,000, 18,000, and 26,000 lumen output versions to provide high-quality light distribution
- Wireless connectivity with LightRules software for easy reporting and fine tuning of lighting settings anytime, anywhere
- Software-defined coordinated control and progressive dimming to maximize occupant comfort and energy savings
- Narrow, wide, and aisle optic options to accommodate a broad range of applications
- Integrated occupancy sensing, daylight sensing, and power metering for maximum efficiency



ILE-3-13



ILE-3-18



ILE-3-26

ILE FIXTURE FAMILY SPECIFICATIONS

SENSING & CONTROL

Onboard Intelligence	<ul style="list-style-type: none"> ◦ Built-in sensing with data logging ◦ Energy and fault monitoring ◦ Analog or digital input
Native Sensing	<ul style="list-style-type: none"> ◦ Integrated PIR occupancy sensor ◦ Integrated daylight sensor
Wireless Networking	IEEE 802.15.4 Wireless Mesh
Control Capabilities	<ul style="list-style-type: none"> ◦ Scheduling via LightRules® ◦ kWh and occupancy logging ◦ Daylight harvesting
Dimming	<ul style="list-style-type: none"> ◦ 0-100%, 16-bit digital resolution ◦ PAR1789-compliant with modulation > 1.25 kHz

ENVIRONMENTAL

Operating Temp. ¹	-40° to 65° C
IP Rating ²	IP65

CERTIFICATION & WARRANTY

Certifications	UL, cUL, FCC Part 15 Class B, UL-MX NOM, CE, C-Tick, VDE-ENEC, CCC, DLC ³
Fixture Warranty	10-Year Limited

PERFORMANCE

Unified Glare Rating ⁴	20
Lumen Maintenance ^{5,6}	<ul style="list-style-type: none"> ◦ L70 (18K): 103,000 hours ◦ L70 calculated: 120,000 hours ◦ L80 calculated: 78,000 hours ◦ L90 calculated: 40,000 hours
Power Factor	0.9 min
Surge Protection	Per IEC 61547
Wiring	Sealed, integrated cable

PHYSICAL

Mounting Options	Aircraft Cable or Fixed Mount
Frame	PC/ABS polymer & anodized aluminum
Optic Material	Optical grade PC
Power Enclosure	PC/ABS polymer

SPACING CRITERIA

	ILE-3-13	ILE-3-18	ILE-3-26
Optic	Fixed / Adjustable	Fixed / Adjustable	Fixed / Adjustable
Narrow	0.7 / 1.0	0.7 / 1.0	0.7 / 1.0
Wide	1.4 / 1.4	1.5 / 1.5	1.5 / 1.5
Aisle	0.3 / 1.4	0.3 / 1.6	0.3 / 1.4

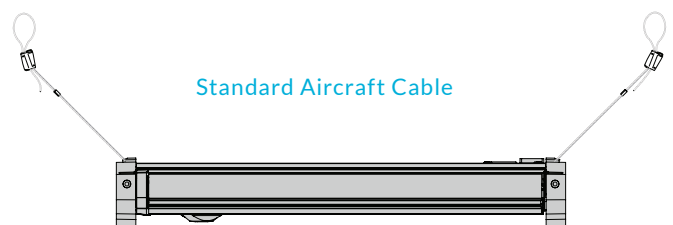
ORDERING INFORMATION

Note: For short/standard leadtimes, select options in **bold**.

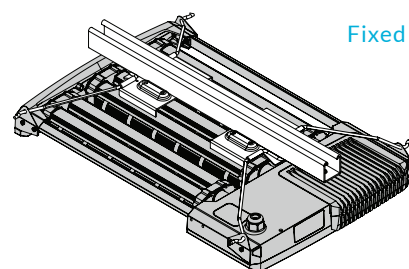
	(5000 K CCT)	(4000 K CCT)
ILE-3-13		
Narrow	21300	21304
Wide	22300	22304
Aisle	23300	23304
ILE-3-18		
Narrow	21400	21404
Wide	22400	22404
Aisle	23400	23404
ILE-3-26		
Narrow	21500	21504
Wide	22500	22504
Aisle	23500	23504

ACCESSORIES

91110	ILE-3-13 Aircraft Cable Hanging Hardware (for 5 fixtures)
91120	ILE-3-18 Aircraft Cable Hanging Hardware (for 5 fixtures)
91130	ILE-3-26 Aircraft Cable Hanging Hardware (for 5 fixtures)
91122	Fixed Mount Hanging Hdw (for 5 fixtures)
99001	PIR Sensor Mask, ⁷ 10-pack



Standard Aircraft Cable



Fixed Mount

¹ UL=65°C, CE= 50°C — See temperature throttling chart on page 4.

² ⚠️ **Maintain 3 m setback from walls open to exterior.**

⚠️ **Clean with mild soap and water only.**

³ DLC Certification for 5000 Kelvin CCT fixtures only.

⁴ Calculated in nominal application environment.

⁵ Per LM-79-08 test methods.

⁶ Projected based on TM-21 data. L70 = Time to 70% lumen maintenance. For details, refer to the Statement of Lumen Maintenance.

⁷ Fixtures with Wide optics ship without sensor masks.

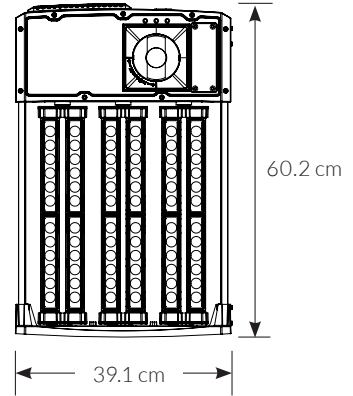
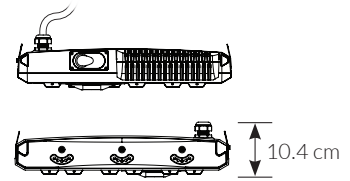
ILE-3-13

PERFORMANCE

Color Temperature ⁸	5,000 K CCT	4,000 K CCT
CRI	70 min, 72 typ	80 min, 82 typ
Lumen Output (Nominal)	13,480 lm	11,800 lm
Power Consumption (Nominal)	112 W	155 W
Efficacy ⁹	121 lm/W	76 lm/W
Input Ratings ¹⁰	208-277 V AC, 50/60 Hz, 0.55 A (max)	

PHYSICAL

Dimensions (H x W x D)	10.4 x 39.1 x 60.2 cm	
Weight	6.9 kg	



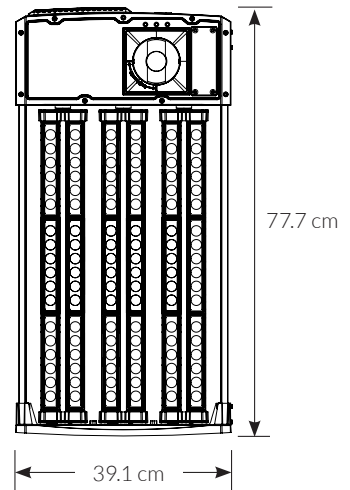
ILE-3-18

PERFORMANCE

Color Temperature ⁸	5,000 K CCT	4,000 K CCT
CRI	70 min, 72 typ	80 min, 82 typ
Lumen Output (Nominal)	18,080 lm	16,300 lm
Power Consumption (Nominal)	145 W	215 W
Efficacy ⁹	125 lm/W	76 lm/W
Input Ratings ¹⁰	208-277 V AC, 50/60 Hz, 1.2 A (max)	

PHYSICAL

Dimensions (H x W x D)	10.4 x 39.1 x 77.7 cm	
Weight	8.2 kg	



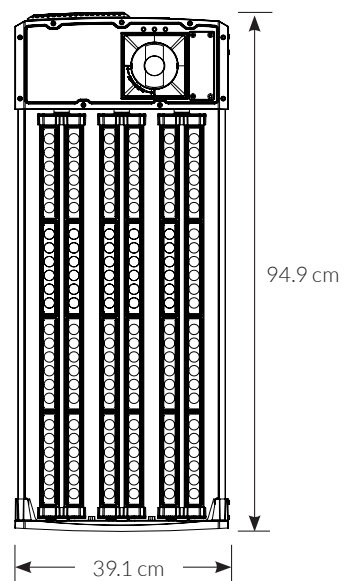
ILE-3-26

PERFORMANCE

Color Temperature ⁸	5,000 K CCT	4,000 K CCT
CRI	70 min, 72 typ	80 min, 82 typ
Lumen Output (Nominal)	26,440 lm	24,000 lm
Power Consumption (Nominal)	240 W	315 W
Efficacy ⁹	118 lm/W	76 lm/W
Input Ratings ¹⁰	208-277 V AC, 50/60 Hz, 1.7 A (max)	

PHYSICAL

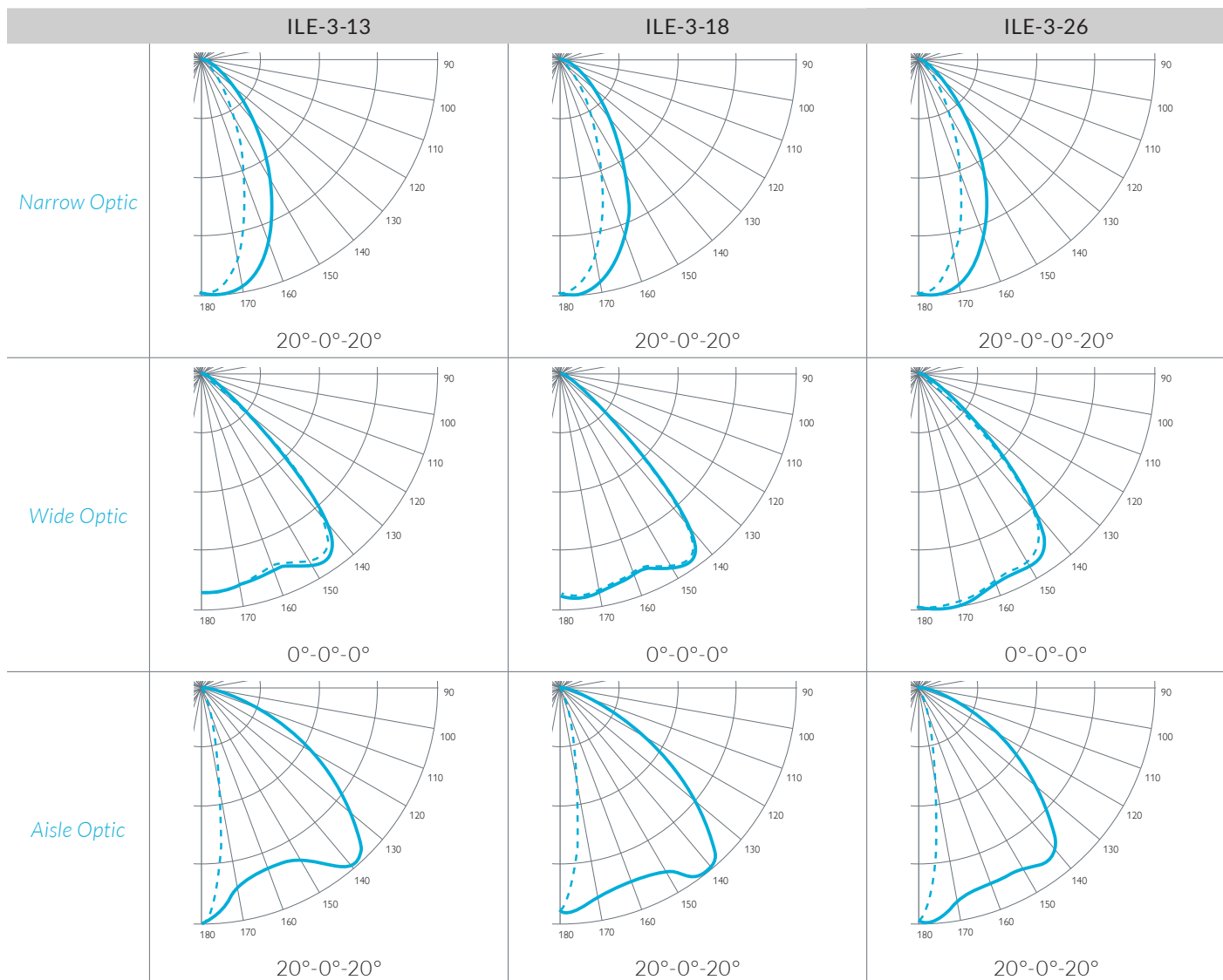
Dimensions (H x W x D)	10.4 x 39.1 x 94.9 cm	
Weight	9.9 kg	



⁸ Nominal CCT, as defined by ANSI C78.377-2008.

⁹ Efficacy values vary with optic option. See DLC QPL for variant details.

¹⁰ Input ratings may vary for international certifications.



ILE LUMEN OUTPUT VS. VARIANT TEMPERATURE

