

Date: _____
 Type: _____
 Firm: _____
 Project: _____

DLE 12·18·24·48

Intelligent LED High Bay Fixtures

The cornerstone of Digital Lumens' intelligent high bay fixture portfolio, the DLE family offers unparalleled performance and reliability in a broad range of commercial, industrial, and sporting applications. With market-leading value and efficiency, DLE fixtures are high-performance alternatives for uncontrolled LED, fluorescent, and HID high bay fixtures, and are available in light output versions from 12,000 to 48,000 lumens.

All DLE high bay fixtures feature integrated occupancy and daylight sensors, rotatable light bars, and a variety of optics options to deliver high-quality light and maximum efficiency, flexibility, and control. The only LED high bay with adjustable direct/indirect lighting, DLEs are ideal in manufacturing, sporting, and other applications that require lighting uniformity and distribution across both ceilings and workspaces.

Proven to offer superior performance and efficiency in the world's most demanding customer environments, DLEs are wirelessly networked to LightRules® lighting management software for comprehensive reporting and easy management of lighting system settings. In addition to rugged design and construction, DLE fixtures offer emergency lighting capabilities to enhance employee safety and regulatory compliance, as well as automated life-safety testing and reporting through LightRules software.

PRODUCT FAMILY FEATURES:

- 12,000, 18,000, 24,000, and 48,000 lumen output versions to provide high-quality light distribution
- Wireless connectivity with LightRules software for easy reporting and fine tuning of lighting settings anytime, anywhere
- Software-defined coordinated control and progressive dimming to maximize occupant comfort and energy savings
- Direct/indirect lighting distribution options for optimal visual comfort
- Narrow, wide, aisle, and diffuse optic options to accommodate a broad range of applications
- Integrated power metering, occupancy, and daylight sensing for maximum efficiency
- Emergency battery-backup accessory with reliable operation and automated testing for enhanced safety



DLE-12-ST/HV



DLE-18-ST/HV



DLE-24-ST/HV



DLE-48-ST/HV

DLE FIXTURE FAMILY SPECIFICATIONS

SENSING & CONTROL

Onboard Intelligence	<ul style="list-style-type: none"> Built-in sensing with data logging Energy and fault monitoring Protective temperature monitoring and control Automatic emergency light monitoring, testing, and reporting
Native Sensing	<ul style="list-style-type: none"> Integrated PIR occupancy sensor Integrated daylight sensor
Wireless Networking	IEEE 802.15.4 Wireless Mesh
Control Capabilities	<ul style="list-style-type: none"> Scheduling via LightRules® kWh and occupancy logging Daylight harvesting
Dimming	<ul style="list-style-type: none"> 0-100%, continuous PAR1789-compliant with modulation > 1.25 kHz

ENVIRONMENTAL

IP Rating	IP52 ¹
Operating Temperature	<i>Fixture only:</i> -30° to 50° C <i>Fixture with BBD43:</i> 0° to 50° C
Humidity	0-95%, non-condensing
Photobiological Safety	Exempt group per IEC 62471

PERFORMANCE

Unified Glare Rating ²	20
Lumen Maintenance ^{3,4}	<ul style="list-style-type: none"> L70 (18K): 103,000 hours L70 calculated: 121,000 hours L80 calculated: 78,000 hours L90 calculated: 41,000 hours
Power Factor	0.9 min
Surge Protection	<ul style="list-style-type: none"> Per IEC 61547 1 kV line-line / 2 kV line-earth
Wiring	<ul style="list-style-type: none"> WAGO Winsta® modular socket; Direct wiring with 0.5 in (1.3 cm) trade-size knockout⁵

PHYSICAL

Mounting Options	Aircraft Cable or Fixed Mount
Fixture Frame & Power Enclosure	<ul style="list-style-type: none"> PC/ABS polymer & anodized aluminum Zinc-plated steel
Optic Material	<ul style="list-style-type: none"> Optical grade PMMA Optical grade PC option (diffuse optic)
Optic Options	Narrow, Wide, Aisle, or Diffuse

WARRANTY

Fixture Warranty	10-Year Limited
BBD43 Warranty	5-Year Limited

ACCESSORIES

DHHAS	Aircraft Cable Hanging Hardware
DHHSO	DLE Hanging Hardware Standoff
DHHRM	Fixed Mount Hanging Hardware (2x required for DLE-48 fixtures)
DLEDK	DLE Tabletop Demo Kit with Hard Case (fixture not included)
DLESM⁶	PIR Sensor Mask, 10-pack
DDWPL	DLE Direct Wiring Plug, Fixture
BBD43UL⁷	Battery Backup (North America)
BBD43CE⁷	Battery Backup (Europe)

POWER CORDS

North America:

Without plugs:

DWUL1	10 ft whip, 300 V rated cable (UL, cUL)
DWUL2	12 ft whip, 300 V rated cable (UL, cUL)
DWUH1	10 ft whip, 600 V rated cable (UL, cUL)
DWUH1	20 ft whip, 600 V rated cable (UL, cUL)
DWNM1	10 ft whip, 300 V rated cable (UL-NOM)
DWNM2	20 ft whip, 300 V rated cable (UL-NOM)

With plugs:

DCUL10- (10 ft) or DCUL20- (20 ft)	01	NEMA L5-15 125 V
	02	NEMA L5-20 125 V
	03	NEMA L6-15 250 V
	04	NEMA L6-20 250 V
	05	NEMA L7-15 277 V
	06	NEMA L7-20 277 V
	07	NEMA L8-20 480 V
	08	NEMA L24-20 347 V

Europe/International:

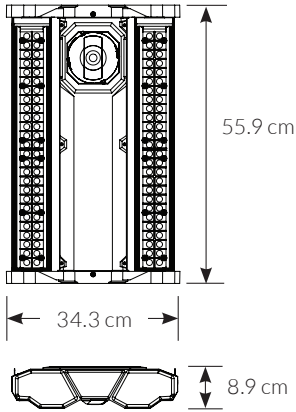
Without plugs:

DWCE1	3 m whip (CE rated)
DWCE2	6 m whip (CE rated)

With plugs:

DCCE320	3 m (Schneider Electric Canalis KBC16DCF21 (CE); 220-240 V)
DCCE620	6 m (Schneider Electric Canalis KBC16DCF21 (CE); 220-240 V)

FIXTURE SPECIFICATIONS
DLE-12-ST/HV⁸



Additional Fixture Options:

- BBD43 compatibility

PERFORMANCE

Color Temperature ⁹	5,000 Kelvin CCT	4,000 Kelvin CCT
Lumen Output (<i>Nominal</i>)	14,650 lm	12,590 lm
Power Consumption (<i>Nominal</i>)	121 W	119 W
Efficacy ¹⁰	120 lm/W	90 lm/W
CRI	70 min, 72 typ	80 min, 82 typ
Input Ratings ¹¹	<i>Standard Voltage (ST):</i> 120-277 V AC, 50/60 Hz <i>High Voltage (HV):</i> 347-480 V AC, 50/60 Hz	

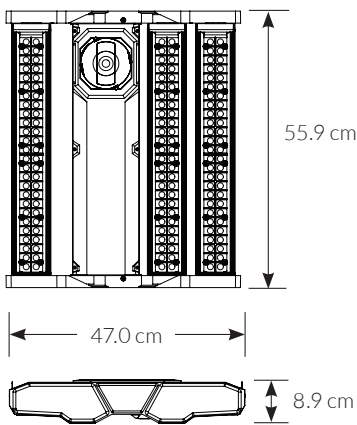
PHYSICAL

Dimensions (<i>H x W x D</i>)	<i>Fixture only:</i> 8.9 x 34.3 x 55.9 cm <i>Fixture with BBD43:</i> 8.9 x 34.3 x 59.5 cm
Weight	<i>Fixture only:</i> 4.3 kg <i>Fixture with BBD43:</i> 5.2 kg

CERTIFICATION

DLE-12 Certifications	UL, cUL, UL-NOM, CE, FCC Part 15 Class B, CISPR 15, DLC Premium; (<i>Standard Voltage only:</i>) PSE, VDE-ENEC, C-Tick, ST COA, CCC, TISI, SII
-----------------------	--

FIXTURE SPECIFICATIONS
DLE-18-ST/HV⁸



Additional Fixture Options:

- BBD43 compatibility

PERFORMANCE

Color Temperature ⁹	5,000 Kelvin CCT	4,000 Kelvin CCT
Lumen Output (<i>Nominal</i>)	21,680 lm	18,650 lm
Power Consumption (<i>Nominal</i>)	181 W	178 W
Efficacy ¹⁰	119 lm/W	90 lm/W
CRI	70 min, 72 typ	80 min, 82 typ
Input Ratings ¹¹	<i>Standard Voltage (ST):</i> 120-277 V AC, 50/60 Hz <i>High Voltage (HV):</i> 347-480 V AC, 50/60 Hz	

PHYSICAL

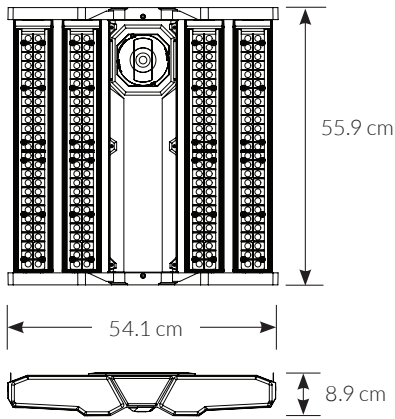
Dimensions (<i>H x W x D</i>)	<i>Fixture only:</i> 8.9 x 47.0 x 55.9 cm <i>Fixture with BBD43:</i> 8.9 x 47.0 x 59.5 cm
Weight	<i>Fixture only:</i> 5.4 kg <i>Fixture with BBD43:</i> 6.3 kg

CERTIFICATION

DLE-18 Certifications	UL, cUL, UL-NOM, CE, FCC Part 15 Class B, CISPR 15, DLC Premium; (<i>Standard Voltage only:</i>) PSE, VDE-ENEC, C-Tick, ST COA, CCC, TISI, SII
-----------------------	--

FIXTURE SPECIFICATIONS

DLE-24-ST/HV⁸



Additional Fixture Options:

- Uplighting
- BBD43 compatibility

PERFORMANCE

Color Temperature ⁹	5,000 K CCT	4,000 K CCT
Lumen Output (<i>Nominal</i>)	28,781 lm	24,630 lm
Power Consumption (<i>Nominal</i>)	241 W	232 W
Efficacy ¹⁰	119 lm/W	90 lm/W
CRI	70 min, 72 typ	80 min, 82 typ
Input Ratings ¹¹	<i>Standard Voltage (ST):</i> 120-277 V AC, 50/60 Hz <i>High Voltage (HV):</i> 347-480 V AC, 50/60 Hz	

PHYSICAL

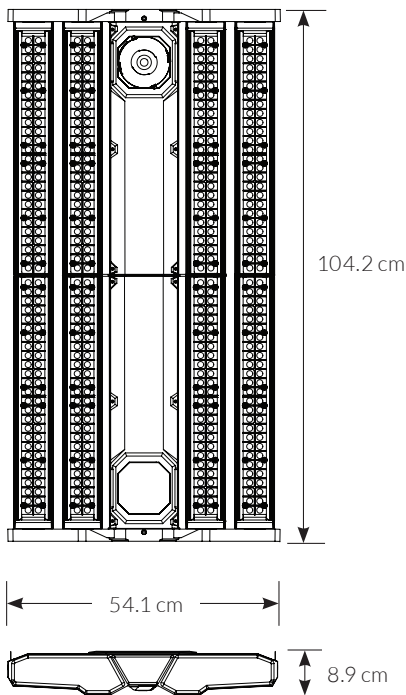
Dimensions (<i>H x W x D</i>)	<i>Fixture only:</i> 8.9 x 53.8 x 55.9 cm <i>Fixture with BBD43:</i> 8.9 x 53.8 x 59.5 cm
Weight	<i>Fixture only:</i> 6.6 kg <i>Fixture with BBD43:</i> 7.5 kg

CERTIFICATION

DLE-24 Certifications	UL, cUL, UL-NOM, CE, FCC Part 15 Class B, CISPR 15, DLC Premium; (<i>Standard Voltage only:</i>) PSE, VDE-ENEC, C-Tick, ST COA, CCC, TISI, SII
-----------------------	--

FIXTURE SPECIFICATIONS

DLE-48-ST/HV⁸



Additional Fixture Options:

- Uplighting
 - BBD43 compatibility
- Note: (2x) BBD43 units required per DLE-48 fixture.

PERFORMANCE

Color Temperature ⁹	5,000 Kelvin CCT
Lumen Output (<i>Nominal</i>)	58,200 lm
Power Consumption (<i>Nominal</i>)	489 W
Efficacy ¹⁰	119 lm/W
CRI	70 min, 72 typ
Input Ratings ¹¹	<i>Standard Voltage (ST):</i> 120-277 V AC, 50/60 Hz <i>High Voltage (HV):</i> 347-480 V AC, 60 Hz

PHYSICAL

Dimensions (<i>H x W x D</i>)	<i>Fixture only:</i> 8.9 x 53.8 x 104.2 cm <i>Fixture with (2x) BBD43:</i> 8.9 x 53.8 x 112.7 cm
Weight	<i>Fixture only:</i> 13.0 kg <i>Fixture with (2x) BBD43:</i> 14.8 kg

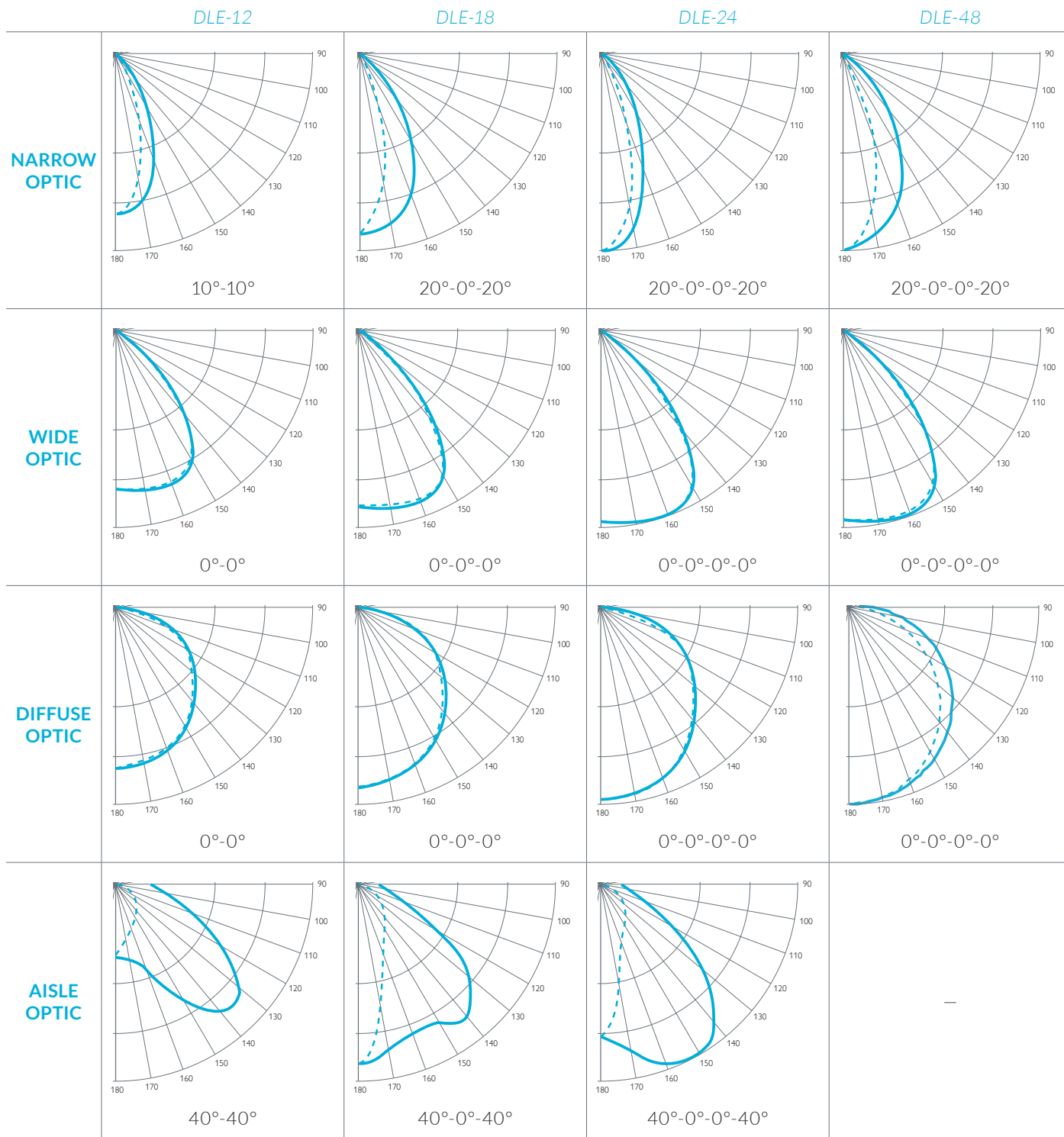
CERTIFICATION

DLE-48 Certifications	UL, cUL, FCC Part 15 Class B, CISPR 15, DLC Premium; (<i>Standard Voltage only:</i>) UL-NOM, CE, PSE, ST COA, CCC, TISI, SII
-----------------------	--

Polar Candela Distribution

Fixed Axis

Adjustable Axis



SPACING CRITERIA

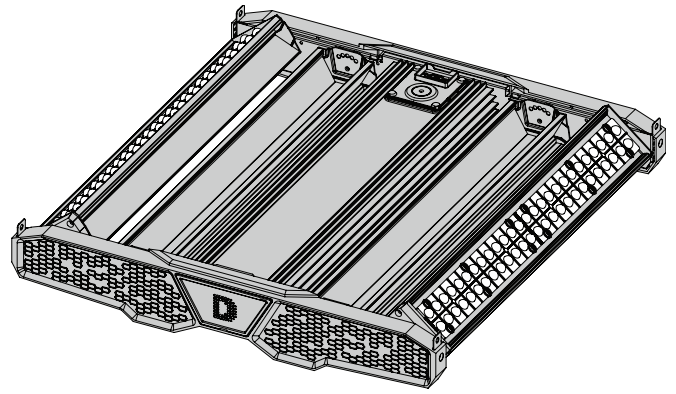
	DLE-12	DLE-18	DLE-24	DLE-48
<i>Optic Type</i>	<i>Fixed / Adjustable</i>	<i>Fixed / Adjustable</i>	<i>Fixed / Adjustable</i>	<i>Fixed / Adjustable</i>
<i>Narrow</i>	0.50 / 1.40	0.48 / 1.02	0.56 / 2.22	.52 / .80
<i>Wide</i>	1.32 / 1.32	1.30 / 1.32	1.32 / 1.30	1.32 / 1.32
<i>Diffuse</i>	1.24 / 1.28	1.24 / 1.30	1.24 / 1.28	1.24 / 1.30
<i>Aisle</i>	0.72 / 2.32	0.42 / 1.48	0.44 / 1.72	—

DLE UPLIGHTING

- Improve aesthetics, visual comfort, and safety by reducing glare and ceiling/floor contrast
- Independently aimable light bars rotate between 0° and 180°

Ordering Information:

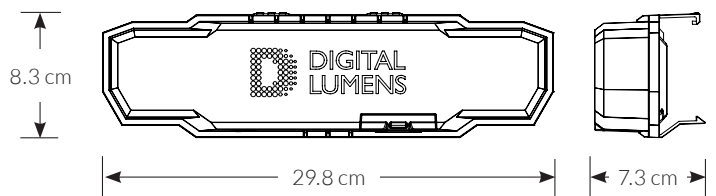
- Available for DLE-24 and DLE-48 fixtures only.



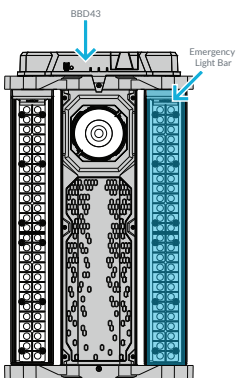
BATTERY BACKUP (BBD43)

SPECIFICATIONS

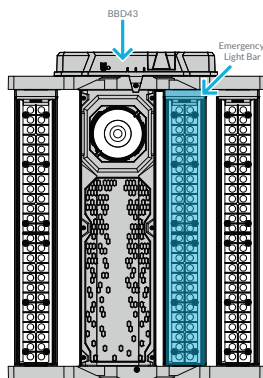
Runtime	(CE) 180 minutes
Operating Temperature	0° to 50° C
Battery Type	NiMH
Input	42 V DC, 150 mA
Output	42 V DC, 500 mA
IP Rating	IP52
Dimensions (H x W x D)	8.3 x 29.8 x 7.3 cm
Weight	0.9 kg
BBD43 Certifications	UL 924 (UL, cUL, UL-NOM), CE
BBD43 Warranty	5-Year Limited



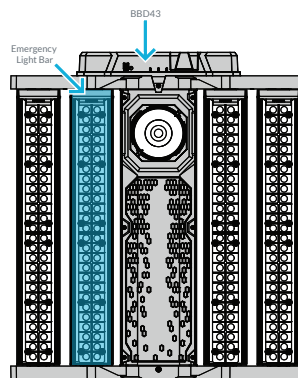
DLE-12



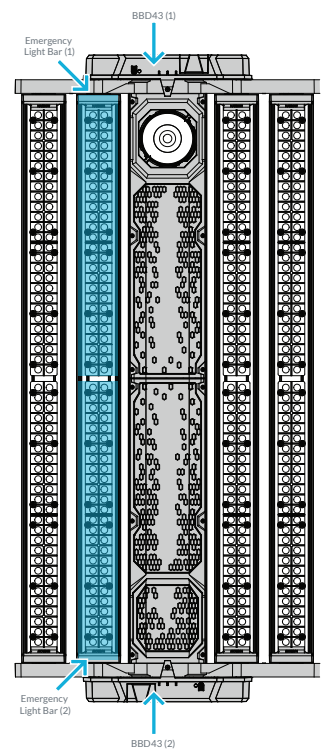
DLE-18



DLE-24



DLE-48



Ordering Information:

- Available to order for DLE fixtures that are BBD43-compliant.
- DLE-48 fixtures require two (2x) BBD43 units per fixture.

MAX MOUNTING HEIGHT (FOR DLE + BBD43)

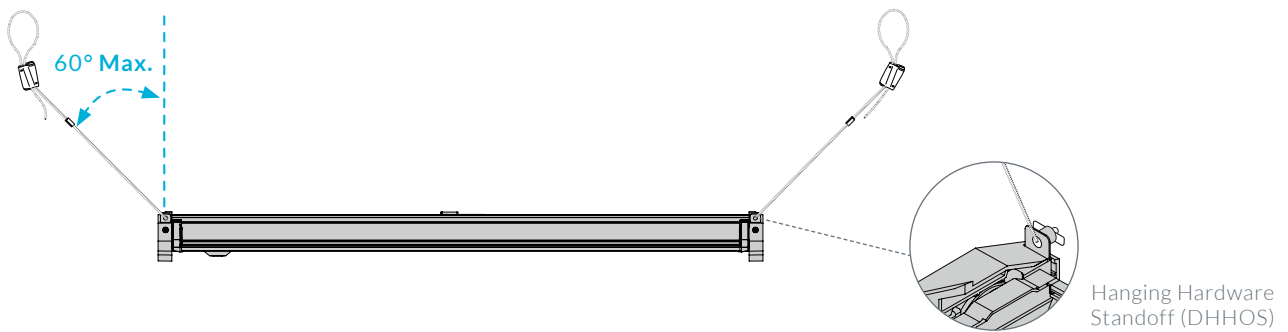
DLE-12/18/24	17.7 m
DLE-48	23.5 m

HANGING HARDWARE

STANDARD AIRCRAFT CABLE (DHHAS)

Ordering Information:

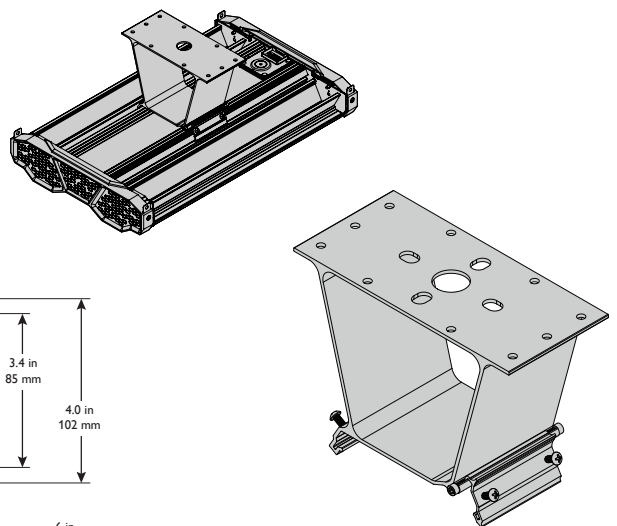
- Available to order for DLE-12, DLE-18, DLE-24, and DLE-48 fixtures.
- One DHHAS includes five (5x) units of hanging hardware.
- One DHHSO includes 100x units of standoff hardware.



FIXED MOUNT (DHHRM)

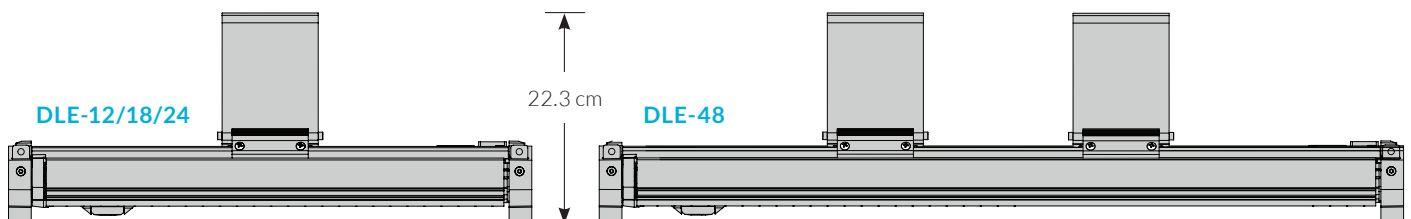
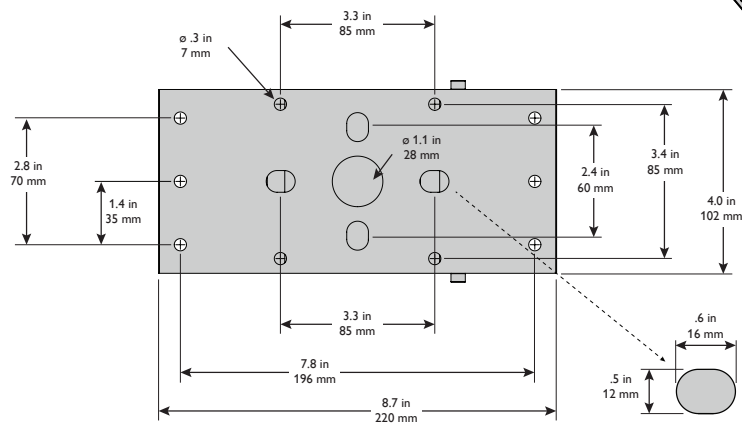
Ordering Information:

- Available to order for DLE-12, DLE-18, DLE-24, and DLE-48 fixtures.
- One DHHRM includes five (5x) units of hanging hardware.
- DLE-48 requires two (2x) fixed mount hardware per fixture.



DLE + Fixed Mount Hardware

Dimensions:



DLE FIXTURE ORDERING INFORMATION

The tables below provide guidelines for encoding item numbers when ordering DLE fixtures. Select a fixture type (lumen output), voltage, optic, and CRI/CCT, and then use the character codes (in bold) when ordering.

Note: CRI/CCT codes ending in 1 or 2 indicate a fixture that is compatible with BBD43 (battery backup).

Note: For short/standard leadtimes, select options in **bold**.

DLE-12 / DLE-18 FIXTURES:

FIXTURE PREFIX	VOLTAGE		OPTIC		CRI/CCT	
DLE-12- or DLE-18-	-ST	Standard Voltage	-N	Narrow	-840	4000 K CCT
	-HV	High Voltage	-W	Wide	-750	5000 K CCT
			-A	Aisle	-841	4000 K CCT, BBD43-compatible
			-D	Diffuse ¹²	-751	5000 K CCT, BBD43-compatible

DLE-24 FIXTURES:

FIXTURE PREFIX	VOLTAGE		OPTIC		CRI/CCT	
DLE-24-	-ST	Standard Voltage	-N	Narrow	-840	4000 K CCT
	-HV	High Voltage	-W	Wide	-750	5000 K CCT
			-A	Aisle	-842	4000 K CCT, BBD43-compatible, Uplight-compatible
			-D	Diffuse ¹²	-752	5000 K CCT, BBD43-compatible, Uplight-compatible

DLE-48 FIXTURES:

FIXTURE PREFIX	VOLTAGE		OPTIC		CRI/CCT	
DLE-48-	-ST	Standard Voltage	-N	Narrow	-750	5000 K CCT
	-HV	High Voltage	-W	Wide	-752	5000 K CCT, BBD43-compatible, Uplight-compatible
			-D	Diffuse ¹²		

¹ ⚠️ Clean with mild soap and water only.

² ⚠️ Maintain 3 m setback from walls open to exterior.

³ Calculated in nominal application environment.

⁴ Per LM-79-08 test methods.

⁵ Projected based on TM-21 data. L70 = Time to 70% lumen maintenance. For details, refer to the Statement of Lumen Maintenance.

⁶ Requires DDWPL (DLE Direct Wiring Plug). Refer to the DLE Installation Instructions for more information.

⁷ Fixtures with Wide or Diffuse optics, as well as all DLE-48 fixtures ship without sensor masks.

⁸ Requires BBD43-compatible fixtures. DLE-48 requires two (2x) BBD43 units per fixture. Refer to individual product specifications for details.

⁹ High Voltage fixtures (HV) available in North America only.

¹⁰ Nominal CCT, as defined by ANSI C78.377-2008.

¹¹ Efficacy values vary with optic option. See DLC QPL for variant details.

¹² Input ratings may vary for international certifications.

¹³ Note that Daylight Harvesting is not operable by a fixture with Diffuse optics.

