

Date:	_____
Type:	_____
Firm:	_____
Project:	_____

# CLE B1·D1·F1

## Intelligent LED High Bay Fixtures

The CLE fixture family from Digital Lumens offers unparalleled performance and reliability in a broad range of commercial, industrial, and sporting applications. Featuring a value-optimized chassis design and retaining the sensing and communications components of the DLE fixture family, CLE fixtures are high-performance alternatives for uncontrolled LED, fluorescent, and HID high bay fixtures, and are available in light output versions from 12 000 to 24 000 lumens.



CLE-B1·D1·F1

All CLE high bay fixtures feature integrated occupancy and daylight sensors and three optic options to deliver high-quality light and maximum efficiency, flexibility, and control. CLEs are ideal in applications such as manufacturing and ambient warehousing that have challenging economics, while also delivering lighting uniformity and distribution across a variety of workspaces.

Proven to offer superior performance and efficiency in the world's most demanding customer environments, CLEs are wirelessly networked to LightRules® lighting management software for comprehensive reporting and easy management of lighting system settings.

### Product Family Features:

- 12 000, 18 000, and 24 000 (nominal) lumen output versions to provide high-quality light distribution.
- *Wide, Aisle, and Diffuse* optic options to accommodate a wide range of applications.
- Streamlined, value-optimized steel chassis.
- Wireless connectivity with LightRules for easy reporting and fine tuning of lighting settings anytime, anywhere.
- Software-defined coordinated control and progressive dimming to maximize occupant comfort and savings.
- Integrated power metering, occupancy, and daylight sensing for maximum efficiency.

### EUROPE / INTERNATIONAL

## CLE Fixture Family Specifications

### SENSING & CONTROL

Onboard Intelligence	<ul style="list-style-type: none"> <li>Built-in sensing with data logging</li> <li>Energy and fault monitoring</li> <li>Protective temperature monitoring and control</li> </ul>
Native Sensing	<ul style="list-style-type: none"> <li>Integrated PIR occupancy sensor</li> <li>Integrated daylight sensor</li> </ul>
Wireless Networking	IEEE 802.15.4 Wireless Mesh
Control Capabilities	<ul style="list-style-type: none"> <li>Scheduling via LightRules®</li> <li>kWh and occupancy logging</li> <li>Daylight harvesting</li> </ul>
Dimming	0-100%

### ENVIRONMENTAL

IP Rating	IP20 <sup>1</sup>
Operating Temp.	-20° to 50° C
Humidity	0-95%, non-condensing
Photobiological Safety	RGI per IEC TR 62778

### PHYSICAL

Mounting Options	<ul style="list-style-type: none"> <li>Aircraft Cable</li> <li>Pendant / Fixed Mount</li> </ul>
Fixture Frame	Painted steel
Optic Material	Optical-grade PMMA or PC
Input Ratings <sup>2</sup>	220-240 V AC, 50/60 Hz

### PERFORMANCE

Unified Glare Rating <sup>3</sup>	Certification Pending
Lumen Maintenance <sup>4,5</sup>	<ul style="list-style-type: none"> <li>L<sub>70</sub> calculated: 120,000 hours</li> <li>L<sub>80</sub> calculated: 73,000 hours</li> <li>L<sub>90</sub> calculated: 31,000 hours</li> </ul>
Power Factor	0.9 min
Surge Protection	<ul style="list-style-type: none"> <li>Per IEC 61547</li> <li>1 kV line-line / 2 kV line-earth</li> </ul>

### CERTIFICATION

Fixture Certifications	UL/cUL, UL-NOM, FCC Part 15 Class B, CE
------------------------	---

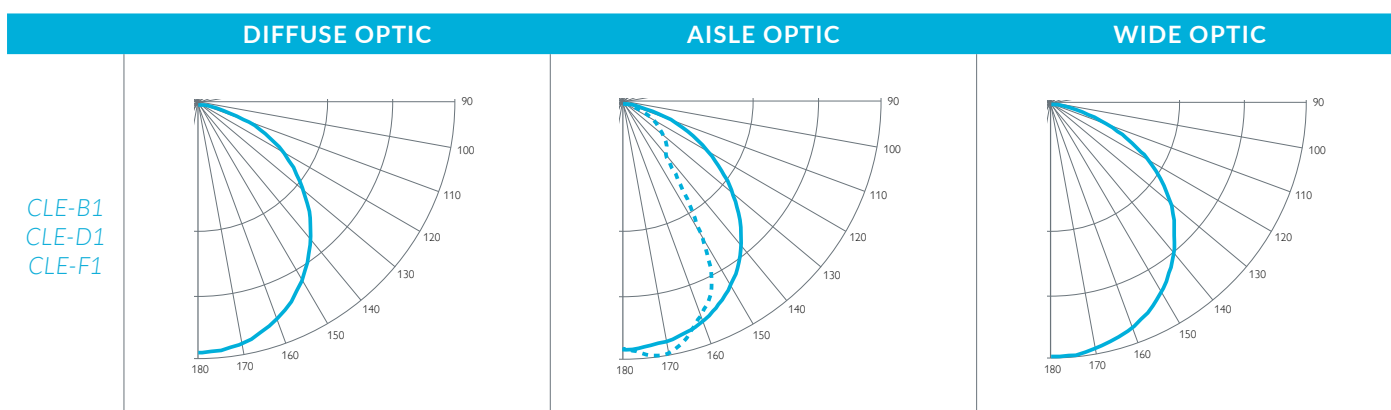
### WARRANTY

Fixture Warranty	<ul style="list-style-type: none"> <li>5-Year Limited</li> <li>10-Year Limited (Optional)</li> </ul>
------------------	--

### ACCESSORIES

DHHAS	Aircraft Cable Hanging Hardware, 5-pack
CHHRM	Fixed Mount Hanging Hardware, 5-pack
CLESM <sup>6</sup>	PIR Sensor Mask, 10-pack
CLE10YW	10-Year Limited Warranty (Optional)

## Polar Candela Distribution



<sup>1</sup> ⚠ Clean with mild soap and damp cloth only.

⚠ Maintain 3 m setback from walls open to exterior.

<sup>2</sup> Input ratings may vary for international certifications.

<sup>3</sup> Calculated in nominal application environment.

<sup>4</sup> Per LM-79-08 test methods.

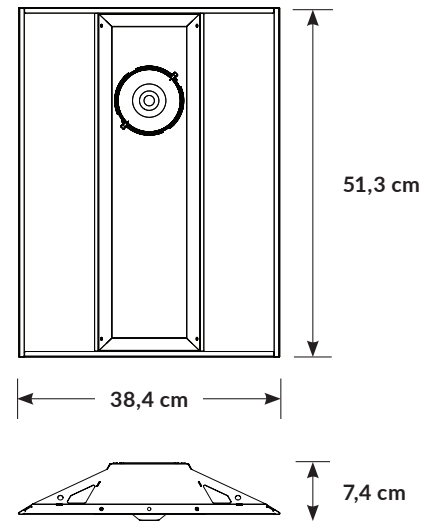
<sup>5</sup> Projected based on TM-21 data. L70 = Time to 70% lumen maintenance. For details, refer to the Statement of Lumen Maintenance.

<sup>6</sup> Fixtures with Wide and Diffuse optics ship without sensor masks.

## CLE-B1

PERFORMANCE		
Color Temperature <sup>7</sup>	5 000 K CCT	4 000 K CCT
Lumen Output (nominal) <sup>8</sup>	11 778 lm	10 480 lm
Power Consumption (nominal)	78 W @ 277 VAC	78 W @ 277 VAC
Efficacy <sup>9</sup>	151 lm/W	134 lm/W
CRI	80 min, 82 typ	80 min, 82 typ

PHYSICAL	
Dimensions (H x W x D)	51,3 x 38,4 x 7,4 cm
Weight	3,8 kg



## CLE-D1

PERFORMANCE		
Color Temperature <sup>7</sup>	5 000 K CCT	4 000 K CCT
Lumen Output (nominal) <sup>8</sup>	17 695 lm	15 720 lm
Power Consumption (nominal)	114 W @ 277 VAC	114 W @ 277 VAC
Efficacy <sup>9</sup>	155 lm/W	137 lm/W
CRI	80 min, 82 typ	80 min, 82 typ

PHYSICAL	
Dimensions (H x W x D)	51,3 x 38,4 x 7,4 cm
Weight	4,3 kg

## CLE-F1

PERFORMANCE		
Color Temperature <sup>7</sup>	5 000 K CCT	4 000 K CCT
Lumen Output (nominal) <sup>8</sup>	23 490 lm	20 320 lm
Power Consumption (nominal)	147 W @ 277 VAC	148 W @ 277 VAC
Efficacy <sup>9</sup>	160 lm/W	137 lm/W
CRI	80 min, 82 typ	80 min, 82 typ

PHYSICAL	
Dimensions (H x W x D)	51,3 x 38,4 x 7,4 cm
Weight	4,3 kg

<sup>7</sup> Nominal CCT, as defined by ANSI C78.377-2008.

<sup>8</sup> Wide Optic

<sup>9</sup> Efficacy values vary with optic option.

## CLE Fixture Ordering Information

The table below provides guidelines for encoding item numbers when ordering CLE fixtures. When ordering, specify a fixture part number using the combined lumen output, voltage, optic, and CRI/CCT character codes.

**Note:** For short/standard lead times, select options in **bold**.

FIXTURE	OUTPUT	VOLTAGE	OPTIC	CRI/CCT
CLE	<b>-B1</b>	<b>-CE</b> 220-240 V AC	<b>-W</b> Wide	<b>-850</b> 80 CRI, 82 Typ / 5000 K CCT
	<b>-D1</b>		<b>-A</b> Aisle	<b>-840</b> 80 CRI, 82 Typ / 4000 K CCT
	<b>-F1</b>		<b>-D</b> Diffuse	

## CLE Fixture One-for-One Replacement Guide

The tables below list typical legacy lighting variants and the corresponding CLE fixtures suitable for one-for-one replacement.

	Current/Original Fixture:	CLE Replacement (Open Areas):	CLE Replacement (Aisles):
Linear Flourescent	4LT8	<b>CLE-B1-CE-D</b> or <b>CLE-B1-CE-W</b>	<b>CLE-B1-CE-A</b>
	6LT8	<b>CLE-B1-CE-W</b> or <b>CLE-D1-CE-D</b>	<b>CLE-B1-CE-A</b>
	4LT5HO	<b>CLE-D1-CE-D</b> or <b>CLE-D1-CE-W</b>	<b>CLE-D1-CE-A</b>
	8LT8	<b>CLE-D1-CE-W</b> or <b>CLE-F1-CE-D</b>	<b>CLE-D1-CE-A</b>
	6LT5HO	<b>CLE-F1-CE-D</b> or <b>CLE-F1-CE-W</b>	<b>CLE-F1-CE-A</b>
	8LT5HO	<b>CLE-F1-CE-W</b>	<b>CLE-F1-CE-A</b>
HID	175 W Metal Halide	<b>CLE-B1-CE-W</b> or <b>CLE-B1-CE-D</b>	<b>CLE-B1-CE-A</b>
	250 W Metal Halide	<b>CLE-D1-CE-W</b> or <b>CLE-F1-CE-D</b>	<b>CLE-D1-CE-A</b>
	400 W Metal Halide	<b>CLE-F1-CE-W</b>	<b>CLE-F1-CE-A</b>